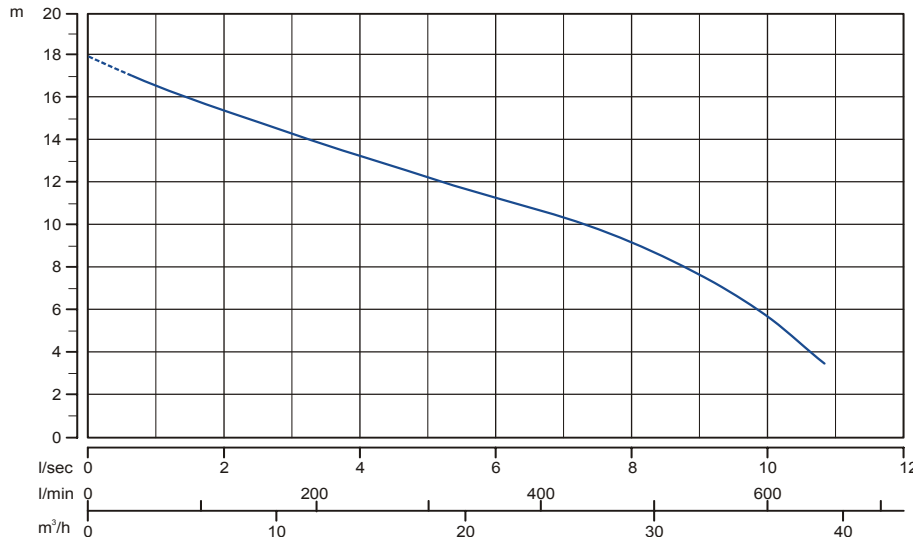
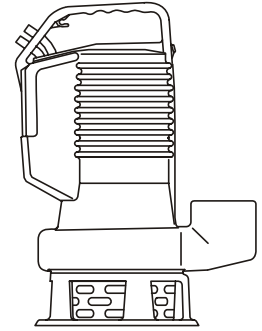


DR BluePRO 200/2/G50V A1CT



ACTUAL OUTLINE



Hydraulic type:

Drainage

Power/poles:

1.5 kW - 2 poles

Outlet type:

2" vertical

Explosion-proof:

Pump in NOT ex-proof version

Free passage of solid bodies:

30x10 mm

ELECTRO-MECHANICAL UNIT

| | | | |
|--|--|--------------------------|----------------------------|
| Rated delivered power: | 1.5 kW | Motor poles/revolutions: | 2900 1/min – 2 poles |
| Rated absorbed power: | ND | Motor phases: | T - threephase |
| Rated absorbed current: | 4.3 A | Service: | S1 submersible or w/sleeve |
| Starting current: | ND | Motor protection: | IP 68 |
| Starting torque: | ND | Insulation class (ICL): | F |
| Rated Cos Ø: | 0.75 | Max. Starts per hour: | 20 |
| Rated motor performance: | ND | Standard cable type: | 5 mt-H07RN-F 3G1 |
| Detailed description of series: | Submersible pumps consisting of a EN-GJL-250 cast iron electromechanical unit intended for submersible operation with 2 mechanical seals. Explosion-proof version not available. | | |
| Standard mechanical seals | 2 mechanical silicon carbide (Viton) seals | | |
| Lifting: | With handle on motor cover | | |
| Ball bearings: | Upper and lower permanently lubricated ball bearings | | |
| Winding type: | Induction motor with dry winding | | |
| Impregnation type: | Doubly impregnated humidity-resistant winding | | |
| Direction of rotation: | Clockwise seen from top of electric pump | | |
| Data provided above refers to hydraulic tests carried out at: 400 Volt 50 Hz | | | |

MATERIALS

| | | | |
|-------------------------|-------------------------|-----------------------------|------------------------|
| Mechanical unit: | EN-GJL-250 cast iron | Hyd. Unit, impeller: | EN-GJL-250 cast iron |
| Shaft: | X30Cr13 (AISI420) steel | Bolts and Screws: | INOX A2 steel |
| Seals (O-Ring): | NBR-SBR rubber | Grinder cutter: | Not applicable |
| Cooling jacket: | Not applicable | Painting: | Ecological epoxy vinyl |

**LIMITS ON USE
REFERENCE STANDARDS**

| | | | |
|--|----------------------|------------------------------|----------------------|
| Max. operating temp.: | 40 °C | Max. sub. depth: | 20 m |
| Liquid PH: | 6 to 10 | Liquid density: | 1 kg/dm ³ |
| Viscosity of liquid: | 1 mm ² /s | Max. acoustic press.: | < 70 dB dB |
| Reference standards: | | | |
| <ul style="list-style-type: none"> • EN 292-1; EN 292-2; CEI EN 60529; ISO 9906; CEI EN 60034-1. • CEI EN 60204; UNI ISO 6009; UNI EN 1561-1563; UNI EN 10098. • Low voltage directive 73/23/CEE. • Procedures specified by Zenit Europe s.r.l. Quality System, UNI EN ISO 9001 (ISO 9001) certified, DNV n. SQ 0660-IT certified. • Machines directive 89/392/CEE and successive amendments thereto (directives 91/368/CEE, 93/68/CEE), electromagnetic compatibility directive 89/336/CEE | | | |

SYMBOLS

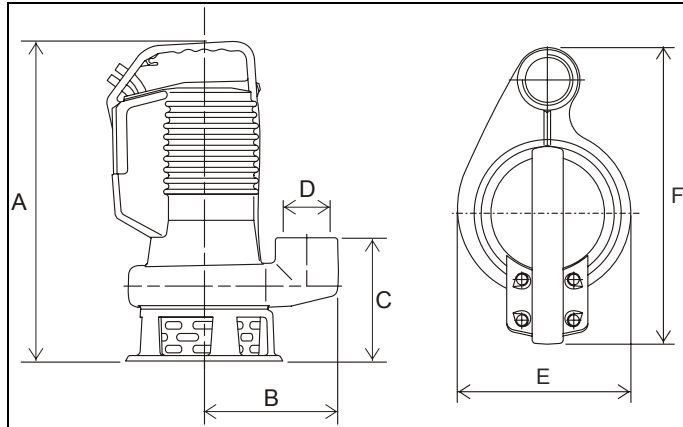


Product complying with European standards in force

Company Quality System complying with UNI ISO norm



| | | |
|---|--------------------------------|--|
| VARIANTS AVAILABLE | Electrical accessories | |
| | <i>TC</i> | Thermistor and capacitor |
| | <i>TCG</i> | Thermistor, capacitor and floatswitch |
| | <i>TRG</i> | Thermistor, relay and floatswitch |
| | Set of mechanical seals | |
| | <i>2SIC</i> | 2 mechanical silicon carbide (Viton) seals |
| Cooling system / mechanical seal flushing versions | | |
| <i>N</i> | No sleeve and/or seal flushing | |



| A mm | B mm | C mm | D inch | E mm | F mm |
|---------|---------|---------|-----------|---------|---------|
| 422 | 130 | 170 | 2 | 175 | 295 |

| | | |
|--|--------------|-------|
| | Mass: | 24 Kg |
|--|--------------|-------|