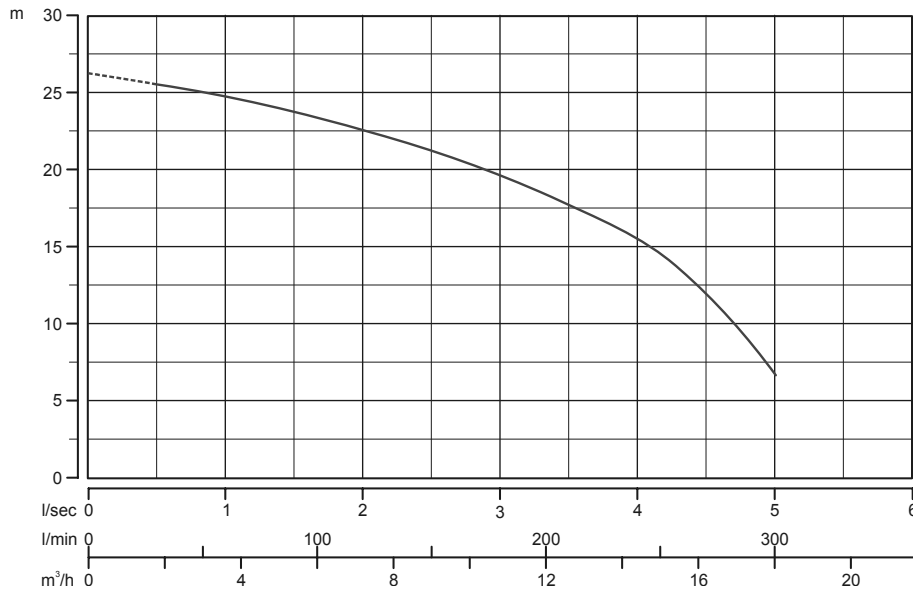
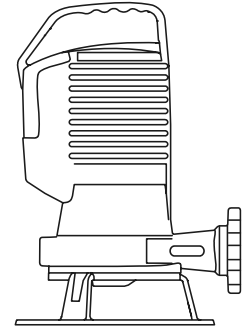


GR BluePRO 200/2/G40H A1CM



ACTUAL OUTLINE



Hydraulic type:

Multi-channel open with grinding system impeller

Power/poles:

1.5 kW - 2 poles

Outlet type:

1 1/2" horizontal

Explosion-proof:

Pump in NOT ex-proof version

Free passage of solid bodies:

-

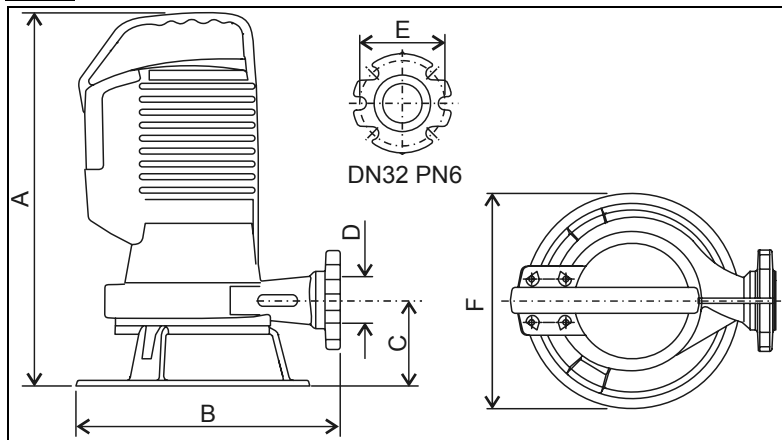
ELECTRO-MECHANICAL UNIT	Rated delivered power:	1.5 kW	Motor poles/revolutions:	2 poles – 2900 rev/min	
	Rated absorbed power:	ND	Motor phases:	M – single phase	
	Rated absorbed current:	10 A	Service:	S1 submersible or w/sleeve	
	Starting current:	ND	Motor protection:	IP 68	
	Starting torque:	ND	Insulation class (ICL):	F	
	Rated Cos Ø:	0.72	Max. Starts per hour:	20	
	Rated motor performance:	ND	Standard cable type:	5 mt-H07RN-F 3G1	
	Detailed description of series:	Submersible pumps consisting of a EN-GJL-250 cast iron electromechanical unit intended for submersible operation with 2 mechanical seals. Explosion-proof version not available.			
	Standard mechanical seals	2 mechanical silicon carbide (Viton) seals			
	Lifting:	With handle on motor cover			
	Ball bearings:	Upper and lower permanently lubricated ball bearings			
	Winding type:	Induction motor with dry winding			
	Impregnation type:	Doubly impregnated humidity-resistant winding			
Direction of rotation:	Clockwise seen from top of electric pump				
Data provided above refers to hydraulic tests carried out at: 230 Volt 50 Hz					

MATERIALS	Mechanical unit:	EN-GJL-250 cast iron	Hyd. Unit, impeller:	EN-GJL-250 cast iron
	Shaft:	X30Cr13 (AISI420) steel	Bolts and Screws:	INOX A2 steel
	Seals (O-Ring):	NBR-SBR rubber	Grinder cutter:	X102CrNiMo17Ku steel
	Cooling jacket:	Not applicable	Painting:	Ecological epoxy vinyl

LIMITS ON USE REFERENCE STANDARDS	Max. operating temp.:	40 °C	Max. sub. depth:	20 m
	Liquid PH:	6 to 10	Liquid density:	1 kg/dm ³
	Viscosity of liquid:	1 mm ² /s	Max. acoustic press.:	< 70 dB dB
	Reference standards:			
	<ul style="list-style-type: none"> • EN 292-1; EN 292-2; CEI EN 60529; ISO 9906; CEI EN 60034-1. • CEI EN 60204; UNI ISO 6009; UNI EN 1561-1563; UNI EN 10098. • Low voltage directive 73/23/CEE. • Procedures specified by Zenit Europe s.r.l. Quality System, UNI EN ISO 9001 (ISO 9001) certified, DNV n. SQ 0660-IT certified. • Machines directive 89/392/CEE and successive amendments thereto (directives 91/368/CEE, 93/68/CEE), electromagnetic compatibility directive 89/336/CEE 			

SYMBOLS		Product complying with European standards in force	Company Quality System complying with UNI ISO norm

VARIANTS AVAILABLE	Electrical accessories	
	<i>TC</i>	Thermistor and capacitor
	<i>TCG</i>	Thermistor, capacitor and floatswitch
	<i>TRG</i>	Thermistor, relay and floatswitch
	<i>TR</i>	Thermistor and relay
	Set of mechanical seals	
	<i>2SIC</i>	2 mechanical silicon carbide (Viton) seals
	Cooling system / mechanical seal flushing versions*	
	<i>N</i>	No sleeve and/or seal flushing



A	B	C	D	E	F
mm	mm	mm	inch	mm	mm
410	285	97	1 ½	90	230

	Mass:	25 Kg
--	--------------	-------