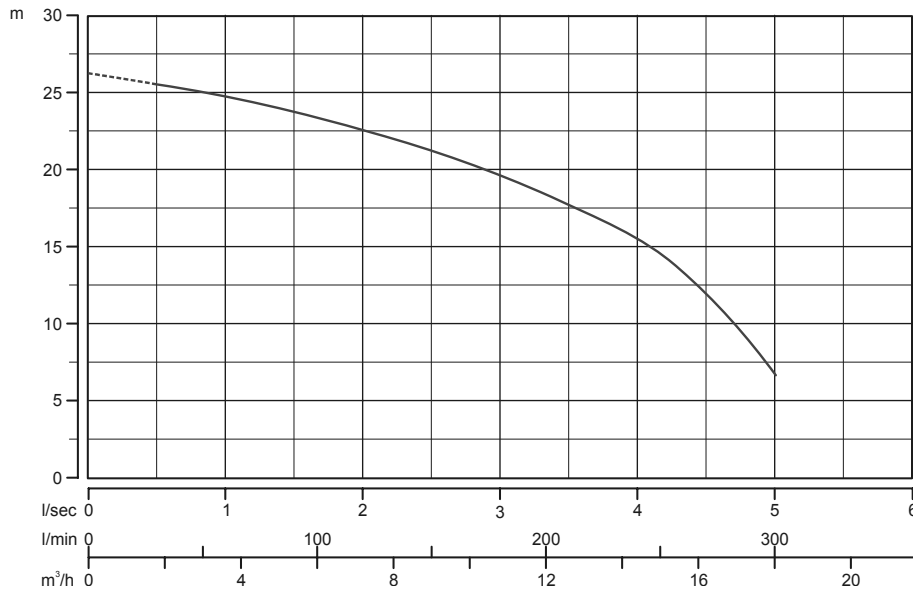
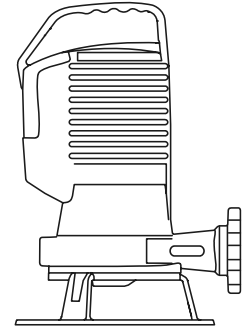


# GR BluePRO 200/2/G40H A1CT



ACTUAL OUTLINE



**Hydraulic type:**

Multi-channel open with grinding system impeller

**Power/poles:**

1.5 kW - 2 poles

**Outlet type:**

1 1/2" horizontal

**Explosion-proof:**

Pump in NOT ex-proof version

**Free passage of solid bodies:**

-

**ELECTRO-MECHANICAL UNIT**

|  |  |                          |                            |
|--|--|--------------------------|----------------------------|
| Rated delivered power:   | 1.5 kW   | Motor poles/revolutions: | 2 poles – 2900 rev/min     |
| Rated absorbed power:  | ND   | Motor phases:            | T – three phase            |
| Rated absorbed current:  | 4.3 A  | Service:                 | S1 submersible or w/sleeve |
| Starting current:  | ND   | Motor protection:        | IP 68                      |
| Starting torque:   | ND   | Insulation class (ICL):  | F                          |
| Rated Cos Ø:   | 0.72   | Max. Starts per hour:    | 20                         |
| Rated motor performance:   | ND   | Standard cable type:     | 5 mt-H07RN-F 3G1           |
| Detailed description of series:  | Submersible pumps consisting of a EN-GJL-250 cast iron electromechanical unit intended for submersible operation with 2 mechanical seals. Explosion-proof version not available. |                          |                            |
| Standard mechanical seals  | 2 mechanical silicon carbide (Viton) seals   |                          |                            |
| Lifting:   | With handle on motor cover   |                          |                            |
| Ball bearings:   | Upper and lower permanently lubricated ball bearings   |                          |                            |
| Winding type:  | Induction motor with dry winding   |                          |                            |
| Impregnation type:   | Doubly impregnated humidity-resistant winding  |                          |                            |
| Direction of rotation:   | Clockwise seen from top of electric pump   |                          |                            |
| Data provided above refers to hydraulic tests carried out at: 400 Volt 50 Hz |  |                          |                            |

**MATERIALS**

|                         |                         |                             |                        |
|-------------------------|-------------------------|-----------------------------|------------------------|
| <b>Mechanical unit:</b> | EN-GJL-250 cast iron    | <b>Hyd. Unit, impeller:</b> | EN-GJL-250 cast iron   |
| <b>Shaft:</b>           | X30Cr13 (AISI420) steel | <b>Bolts and Screws:</b>    | INOX A2 steel          |
| <b>Seals (O-Ring):</b>  | NBR-SBR rubber          | <b>Grinder cutter:</b>      | X102CrNiMo17Ku steel   |
| <b>Cooling jacket:</b>  | Not applicable          | <b>Painting:</b>            | Ecological epoxy vinyl |

**LIMITS ON USE  
REFERENCE STANDARDS**

|  |                      |                              |                      |
|--|----------------------|------------------------------|----------------------|
| <b>Max. operating temp.:</b>   | 40 °C                | <b>Max. sub. depth:</b>      | 20 m                 |
| <b>Liquid PH:</b>  | 6 to 10              | <b>Liquid density:</b>       | 1 kg/dm <sup>3</sup> |
| <b>Viscosity of liquid:</b>  | 1 mm <sup>2</sup> /s | <b>Max. acoustic press.:</b> | < 70 dB dB           |
| <b>Reference standards:</b>  |                      |                              |                      |
| <ul style="list-style-type: none"> <li>• EN 292-1; EN 292-2; CEI EN 60529; ISO 9906; CEI EN 60034-1.</li> <li>• CEI EN 60204; UNI ISO 6009; UNI EN 1561-1563; UNI EN 10098.</li> <li>• Low voltage directive 73/23/CEE.</li> <li>• Procedures specified by Zenit Europe s.r.l. Quality System, UNI EN ISO 9001 (ISO 9001) certified, DNV n. SQ 0660-IT certified.</li> <li>• Machines directive 89/392/CEE and successive amendments thereto (directives 91/368/CEE, 93/68/CEE), electromagnetic compatibility directive 89/336/CEE</li> </ul> |                      |                              |                      |

**SYMBOLS**

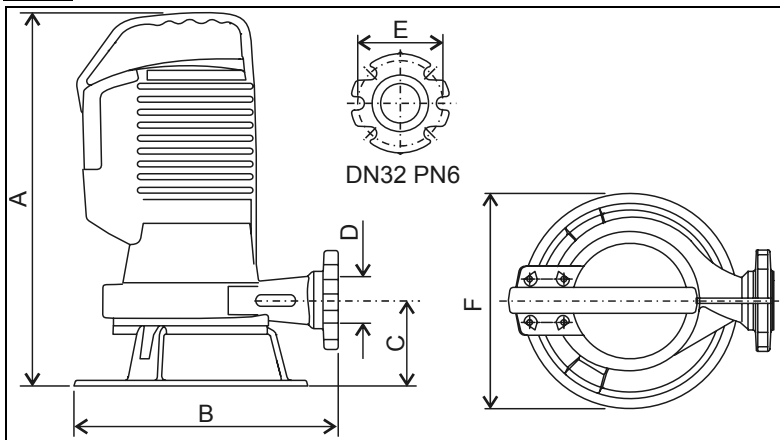


Product complying with European standards in force

Company Quality System complying with UNI ISO norm



|                           |  |  |
|---------------------------|--|--|
| <b>VARIANTS AVAILABLE</b> | <b>Electrical accessories</b>                              |  |
|                           | <i>TC</i>  | Thermistor and capacitor                   |
|                           | <i>TCG</i>   | Thermistor, capacitor and floatswitch      |
|                           | <i>TRG</i>   | Thermistor, relay and floatswitch          |
|                           | <i>TR</i>  | Thermistor and relay                       |
|                           | <b>Set of mechanical seals</b>                             |  |
|                           | <i>2SIC</i>  | 2 mechanical silicon carbide (Viton) seals |
|                           | <b>Cooling system / mechanical seal flushing versions*</b> |  |
|                           | <i>N</i>   | No sleeve and/or seal flushing             |



| A   | B   | C  | D    | E  | F   |
|-----|-----|----|------|----|-----|
| mm  | mm  | mm | inch | mm | mm  |
| 410 | 285 | 97 | 1 ½  | 90 | 230 |

|  |              |       |
|--|--------------|-------|
|  | <b>Mass:</b> | 25 Kg |
|--|--------------|-------|